

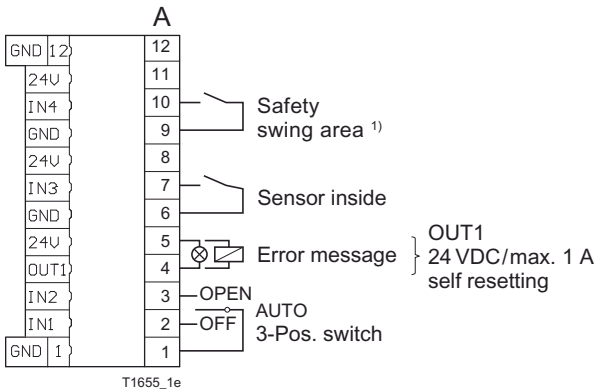
<b>T-1655 e</b>	<b>Connection Diagram</b>	<b>★★★★★</b> <b>TORMAX</b> AUTOMATIC  TORMAX   CH-8180 Bülach www.tormax.com info@tormax.com
Area of application	<b>TORMAX 1102, 1201</b> Swing Door Drive	
Release	4 September 2015	
Use	Planning, installation, maintenance	



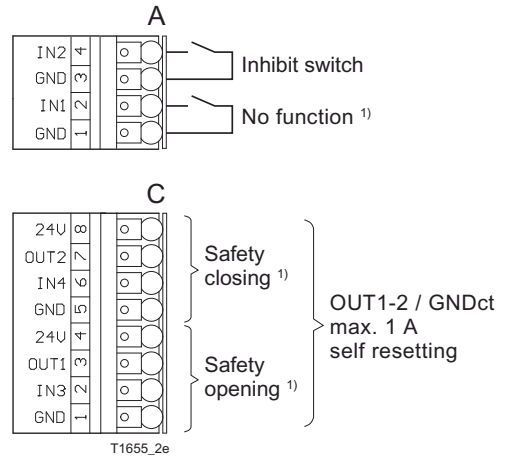
Connect components only current-less.

## Terminal Allocation in Default Programming

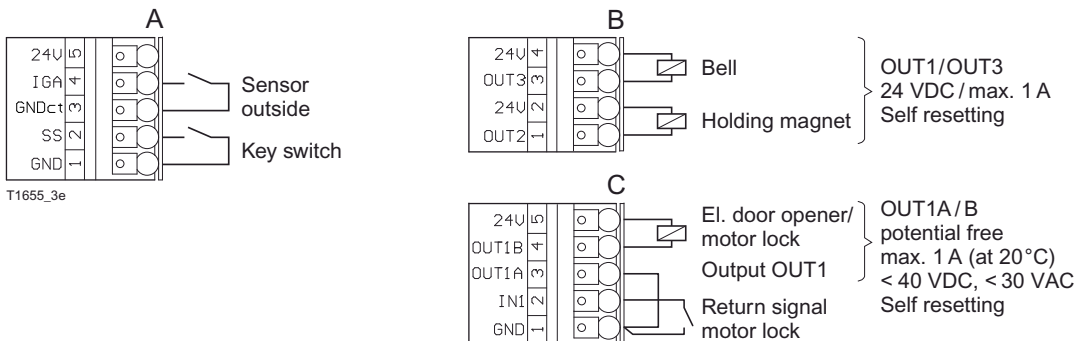
### Base Module (BDM)



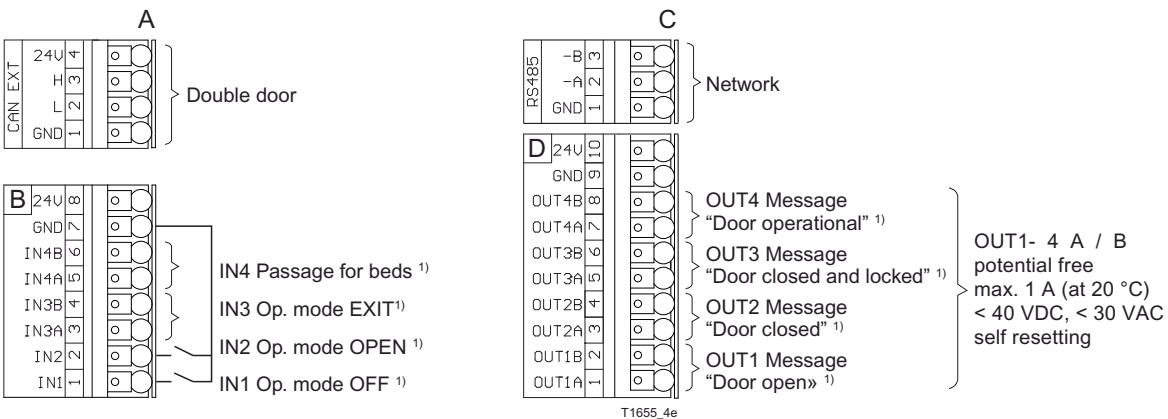
### Power Door Module (PDM)



### Exterior Door Module (EDM)



### Multi Door Module (MDM)



<sup>1)</sup> Function programmable

Load on power supply 24 VDC max. 1,5 A/36 W

Sensors can be switched off via GNDct for energy-saving mode.